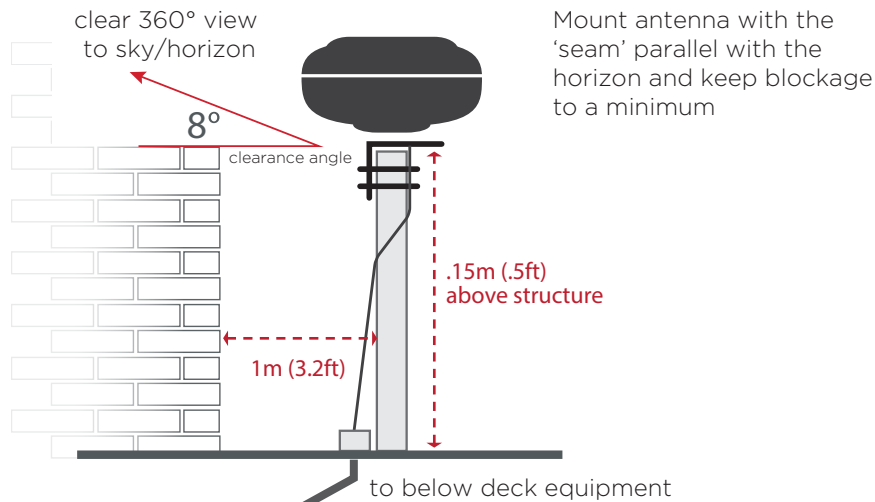
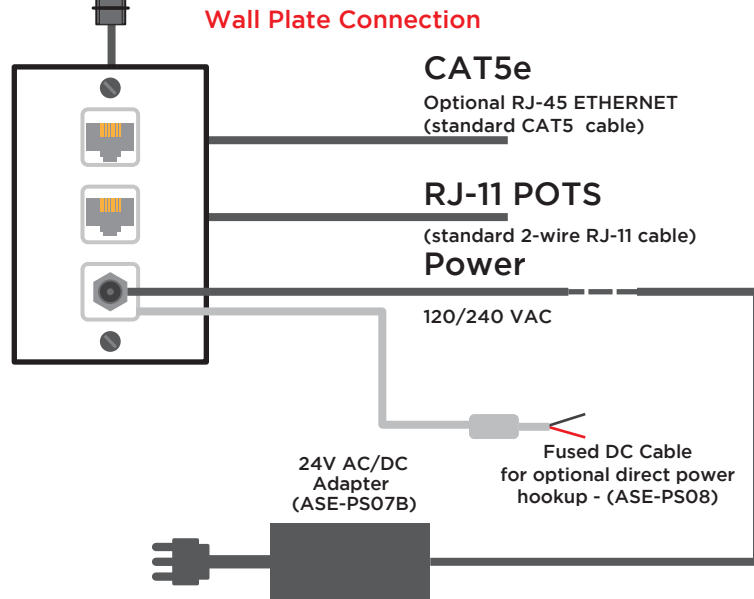


SYSTEM SETUP



Mount antenna with the 'seam' parallel with the horizon and keep blockage to a minimum

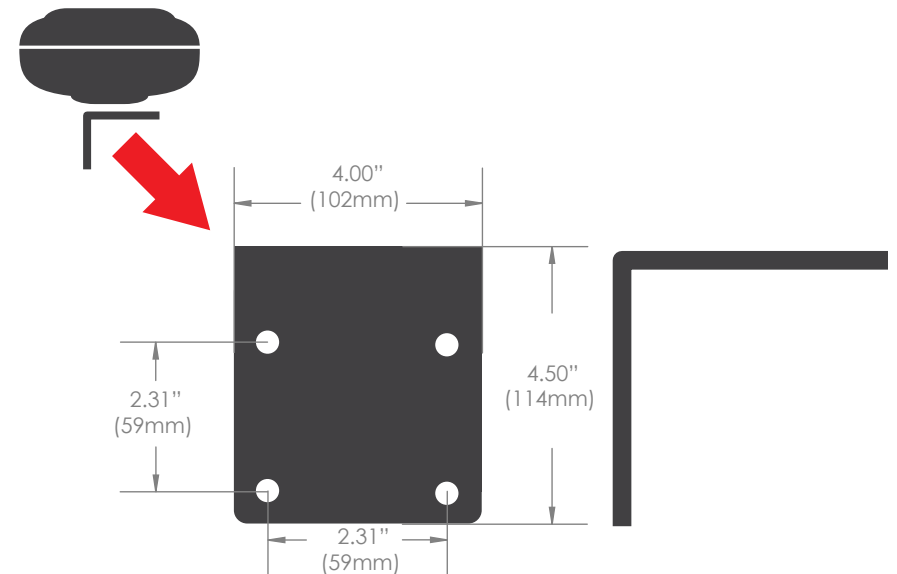


For more information about this product please contact us 1-877-299-9931 or via email info@northernaccess.com.

QUICK START GUIDE

THERE ARE SOME CRITICAL INSTALLATION DETAILS BELOW. PLEASE REVIEW CAREFULLY.

- 1) Be sure to install the Outdoor Comcenter unit in a location that allows for secure mounting with an unobstructed 360° sky view. Satellite view will change as they transit across the horizon.
- 2) The main Outdoor Comcenter unit needs 360° line-of-site to 8° off horizon to be in constant contact with the satellites. Locate the centerline of the Citadel unit at the same height as the retaining wall and 1 M inward.
- 3) The Universal Pipe Mount supports the installation of horizontal or vertical pipes of 1" to 2" in diameter.



Universal Pipe Mount

